

Accessories

For customer to install on existing Stainless Steel MORCINCH Drum Holder 5000SS-P

55/30SS Series Stainless Steel Diameter Adapters

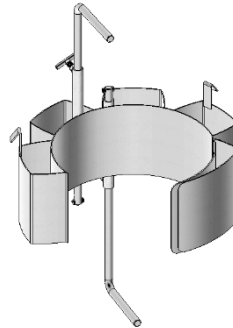
For drum with diameter smaller than 22" (56 cm). To handle a smaller drum, insert the correct size Diameter Adapter into the standard drum holder.

Details: <https://morsedrum.com/products/diameter-adapters>

All Diameter Adapters for drum with 17.5" (44.5 cm) diameter or smaller have integrated brackets to prevent drum slipping length-ways. Model 55/30SS-19B also has integrated brackets.

NOTE: To prevent 30-gallon (114 Liter) PLASTIC drum from slipping install ONE of the following

1. Diameter Adapter 55/30SS-19B which has integrated brackets
2. Diameter 55/30SS-19 (without brackets) **AND** either Bracket 4556SS-P or Top Rim Clamp 4560BSS-P



Model 55/30SS-16
has integrated brackets



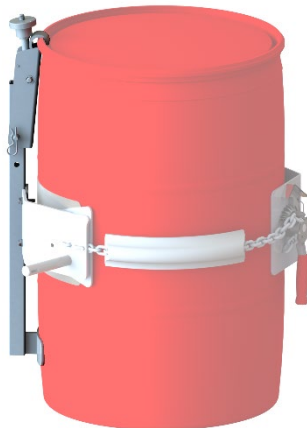
Model 55/30SS-19
has no brackets

IMPORTANT: To prevent a PLASTIC 55 gallon (210 Liter) size drum slipping, you **MUST** install either Top Rim Clamp Kit or Bracket Assembly.

Stainless Steel Top Rim Clamp Kit 4560BSS-P

To handle RIMMED plastic drum.

Install Top Rim Clamp Kit to handle a RIMMED plastic, steel or fiber drum with suitable top rim.

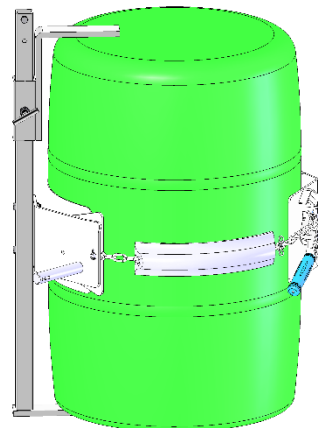


Stainless Steel Bracket Assembly Kit 4556SS-P

Required for RIMLESS plastic drum. Also recommended for fiber drum.

Bracket adjusts for 31" to 39" (79 to 99 cm) tall drum.

You can also handle a rimmed drum with Bracket installed.



Diameter Adapters		
Model Number	Fits Diameter	Integrated Brackets
55/30SS-22	21.5" to 22" (54.6 to 55.9 cm)	No
55/30SS-20.5	20" to 20.5" (50.8 to 52.1 cm)	No
55/30SS-19	18.5" to 19" (47 to 48.3 cm)	No
55/30SS-19B	18.5" to 19" (47 to 48.3 cm)	Yes
55/30SS-17.5	17" to 17.5" (43.2 to 44.5 cm)	Yes
55/30SS-16	15.5" to 16" (39.4 to 40.6 cm)	Yes
55/30SS-14.5	14" to 14.5" (35.6 to 36.8 cm)	Yes
55/30SS-32G	32 Gallon (121 liter) Rubbermaid Brute model 2632	Top Brackets Only
55/30SS-44G	44 Gallon (167 liter) Rubbermaid Brute model 2643	Top Brackets Only

Web Strap and Stainless Steel Ratchet Kit 5115SS-P

Kit for Customer to Install 2" x 3' (5 x 91 cm) Web Strap and
Stainless Steel Ratchet on EXISTING MORCINCH Drum Holder.

Replaces standard cinch chain around drum.

