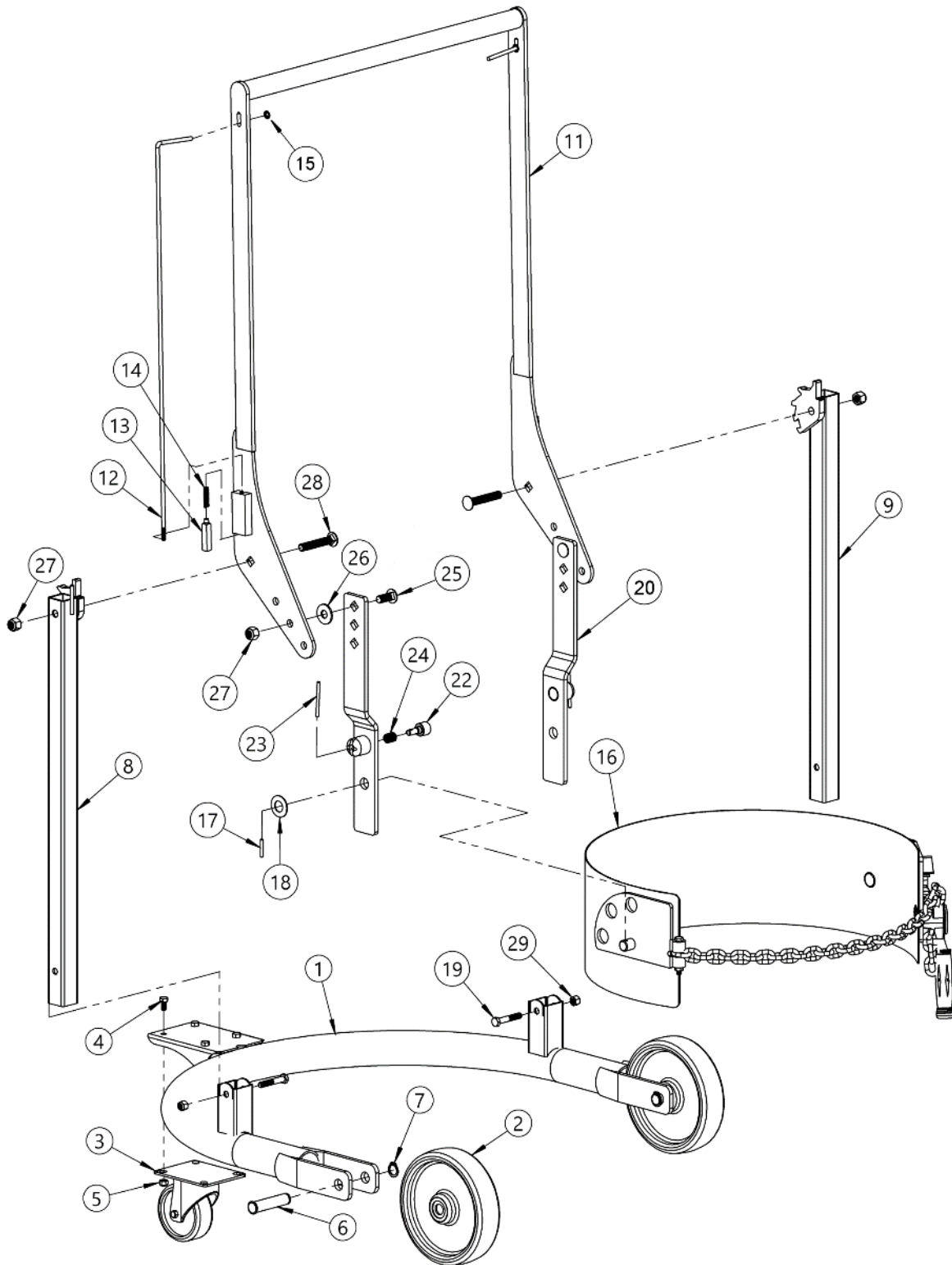


ITEM	QTY.	PART NUMBER	DESCRIPTION
50	1	80-P	STANCHION, W/ PIN, 80
51	2	82-P	HHCS, 3/8-16 X 2-1/4 GR2
52	2	1169-P	NUT, 3/8-16 REV HEX LOCK
53	1	800CPT-P	HANDLE ASM, 80
54	2	806-P	BOLT, 1/2-13 X 3 CARRIAGE
55	4	810-P	NUT, 1/2-13 REV HEX LOCK
56	2	6033-P	LINK ASM, 80, 82 SERIES
57	4	807-P	WASHER, 1/2 USS 1-3/8 OD
58	2	805-P	BOLT, 1/2-13 X 1-1/4 CARRIAGE
60	1	81-P	STANCHION W/O PIN, 80



ITEM	QTY.	PART NUMBER	DESCRIPTION
1	1	830-P	BASE WELD, 80 SERIES
2	2	87-P	WHEEL, MORTUF, 8", 3/4" BRG
3	1	3308-P	CASTER, 4" SWIVEL, DBL RACE
4	4	215-P	HHCS, 5/16-18 X 5/8 GR2
5	4	3920-P	NUT, 5/16-18 NYLON LOCK
6	2	5329-P	PIN, GROOVE, 3/4 X 3.10 C
7	2	5330-P	SNAP RING, EXT, HD, .078, 3/4"
8	1	80-P	STANCHION, W/ PIN, 80
9	1	81-P	STANCHION W/O PIN, 80
10	1	800CPT-P	HANDLE ASM, 80
11	2	6920-P	RELEASE ROD, FOLLOWER 1/4-20
12	2	6919-P	FOLLOWER, RATCHET 1/4-20 80 81
13	2	70-P	SPRING, FOLLOWER, 80, 81
14	2	717-P	NUT, PUSH, 1/4"
15	2	64-P	ROLL PIN, 3/16 X 1-1/4
16	1	101AM2-P	SADDLE ASM, 80AM, 85AM, SR
17	2	64-P	ROLL PIN, 3/16 X 1-1/4
18	2	62-P	WASHER, 3/4 SPRING
19	2	82-P	HHCS, 3/8-16 X 2-1/4 GR2
20	2	6033-P	LINK ASM, 80, 82 SERIES
22	2	59-P	PLUNGER, 80, 85
23	2	61-P	PLUNGER, 80, 85
24	2	60-P	SPRING, PLUNGER, 80, 85
25	2	805-P	BOLT, 1/2-13 X 1-1/4 CARRIAGE
26	2	807-P	WASHER, 1/2 USS 1-3/8 OD
27	4	6266-P	NUT, 1/2-13 NYLON LOCK
28	2	806-P	BOLT, 1/2-13 X 3 CARRIAGE
29	2	3981-P	NUT, 3/8-16 NYLON LOCK